

## ABLOY® CL729

A HIGH SECURITY CAM LOCK  
FOR BOATS AND VEHICLES

- Easy to use
- Aesthetic
- Corrosion resistant mechanism
- Practical - one key fits all
- **ABLOY®** locks are designed for strength, durability and high security

# ABLOY® CL729

## A practical high security lock for marine applications

The lock works smoothly without the key while you are on the boat. You need the key only when initially locking/unlocking the storage and leaving the vehicle or boat.

With the one, same patented and symmetric **ABLOY® SENTRY** key you can operate your other **ABLOY®** cam locks, furniture locks and padlocks as well. The key can be used either way round.



In locked mode the button is down and you can easily see that it is locked.



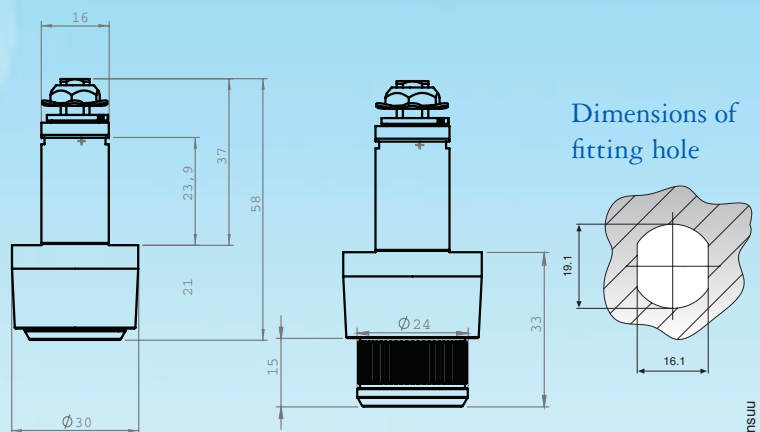
During use the lock is in open mode and you can latch the storage when needed. By turning the button you can open and close the cylinder.

## Aesthetic

Elegant satin chrome finish complements your boats' other fittings. Suitable for installation on timber, metal, fibreglass, plastic and carbon fibre.

## Technical features

Corrosion resistant mechanism is for years of secure, trouble-free use. No modifications are needed when replacing previous **ABLOY®** cam locks (CL103 and CL106). The lock is easy to install and available with a wide range of cams for use with varying cabinet designs.



Dimensions of fitting hole



[www.abloy.com](http://www.abloy.com)

Abloy Oy  
Wahlforssinkatu 20  
P.O.Box 108  
FI-80101 JOENSUU  
FINLAND  
Tel. +358 20 599 2501  
Fax +358 20 599 2209

