



# ABLOY® INDUSTRIAL LOCKS

High Security Solutions for  
Equipment and Enclosures

# CONTEN

4



LOCKING SOLUTIONS  
FOR THE MOST  
DEMANDING  
APPLICATIONS

6



CUSTOMIZATION  
THROUGH  
UNIQUE CYLINDER  
MECHANISM

8



VARIOUS  
CYLINDER SYSTEMS  
FOR DIFFERENT  
SECURITY NEEDS

NT



10



THE RIGHT  
PRODUCT  
FOR EVERY  
APPLICATION

<b>ABLOY® CAM LOCKS</b> .....	10
<b>ABLOY® CABINET LOCKS</b> .....	18
<b>ABLOY® KEY-OPERATED SWITCH LOCKS</b> .....	24
<b>ABLOY® TIME DELAY LOCKS</b> .....	26
<b>ABLOY® SAFE DEPOSIT LOCKS</b> .....	28
<b>ABLOY® COIN OPERATED LOCKS</b> .....	30

# LOCKING SOLUTIONS FOR THE MOST DEMANDING APPLICATIONS

*Whether you need to secure your assets and revenue or critical data and infrastructure, you can always rely on ABLOY locking solutions.*

Our wide range of mechanical cam locks, cabinet locks and safe deposit locks together with custom made solutions and the latest electronic features offer a high security solution into any application. Industrial locks can be keyed into the same master key system with padlocks, door cylinders and other ABLOY locks, and thus all products can be operated with just a single key. This simplifies your locking system and key management.

The rotating disc cylinder technology, patented key systems, strict key control and superior masterkeying capabilities provide high security and functionality. With no springs or pins to wear, jam or freeze, the cylinder mechanism provides a smooth and reliable maintenance free functionality and maximum resistance to even hostile and severe environments.





# CUSTOMIZATION THROUGH UNIQUE CYLINDER MECHANISM

*Does your application require a special lock?  
We have been developing tailor made products  
closely with our customers for decades.*

The unique ABLOY cylinder has been a symbol of high security and superior performance ever since its invention in 1907. The technology is based on the unique operating principle of rotating detainer discs which makes the cylinders bump proof and virtually pick proof.

While the core of the cylinder mechanism remains the same, the outer housing can be designed to meet the requirements of a multitude of applications, local standards and specific customer needs. Working closely with our customers allows us to develop customized products on many different levels. It may be a new configuration of the existing components or a completely new structure, for an existing system. The goal is always a cost-effective total solution, which gives a significant competitive advantage.

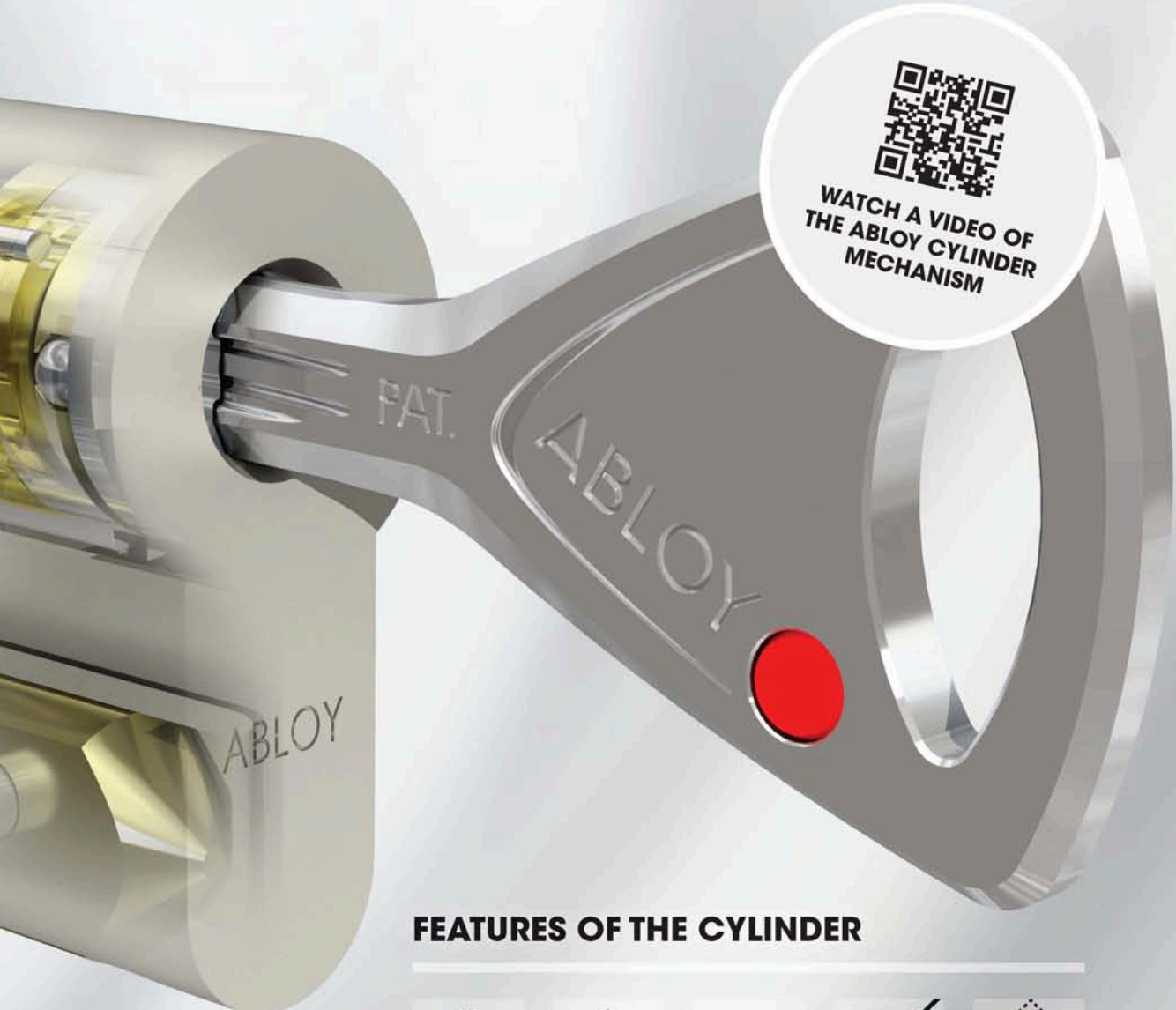
Over the years Original Equipment Manufacturers and Professional End Users around the world have enjoyed the benefits of this flexibility of design and manufacturing.



Customized Euro-profile cam lock for utility cabinet swing handles



Customized solution for ATM with a special pin



WATCH A VIDEO OF THE ABLOY CYLINDER MECHANISM

**FEATURES OF THE CYLINDER**

- 

ROTATING DISC TECHNOLOGY
- 

SUPERIOR MASTER KEYING FEATURES
- 

PATENTED KEY SYSTEM
- 

MANIPULATION PROTECTION
- 

TAILOR MADE



Special locking solutions for vehicles



User friendly locking for boat compartments

# VARIOUS CYLINDER SYSTEMS FOR DIFFERENT SECURITY LEVELS



## ABLOY® CLASSIC

A general level of keying. Recommended for individual locking, such as a drawer or mailbox. Secure, reliable cylinder when key control is not a priority.



PATENTED UNTIL  
**2027**  
WORLDWIDE

## ABLOY® SENTRY

High security solution for industrial applications such as machines and devices. Duplication of keys is strictly controlled. Patented until 2027.

### SECURITY LEVEL

**MEDIUM**

**HIGH**





# SYSTEMS TY NEEDS



PATENTI UNTIL  
**2027**  
WORLDWIDE

## ABLOY® NOVEL

High security solution for public and private sector, whether it is a school, hospital, office or apartment. Duplication of keys is strictly controlled. Patented until 2027.

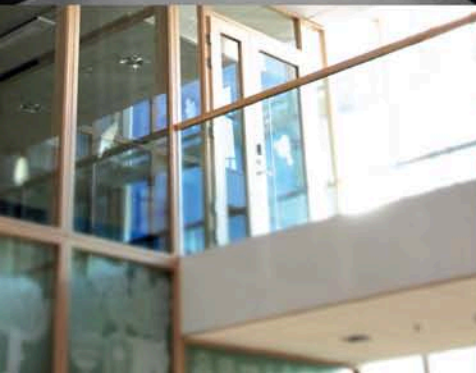
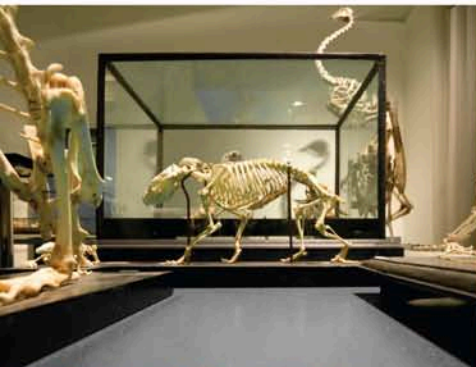


PATENTI UNTIL  
**2031**  
WORLDWIDE

## ABLOY® PROTEC<sup>2</sup> ABLOY® PROTEC<sup>2</sup> CLIQ

The ultimate locking solution offers highest security for professional end users. The mechanical features can be further enhanced by integration of the intelligent electronic identification, CLIQ technology. Patented until 2031.

## SUPERIOR





# ABLOY® CAM LOCKS

*ABLOY cam locks offer a solid locking solution for equipment and enclosures that require highest levels of security and functionality.*

Cam locks are used in variety of applications from industrial enclosures in harsh outdoor weather conditions to high security indoor applications such as revenue collecting equipment for example ticketing and gaming machines. ABLOY cam locks are always made with full metal (brass or steel) housing, making them the most robust and durable option in the market.



**FULL METAL  
HOUSING**



**BUMP PROOF  
AND VIRTUALLY  
PICK PROOF**



**DRILL  
PROTECTION**



**ONE KEY  
FITS ALL**



Banking, gaming and ticketing



Utility applications



Museums, retail and leisure

## UNIVERSAL RANGE



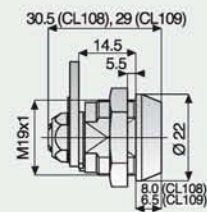
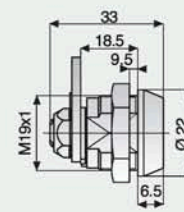
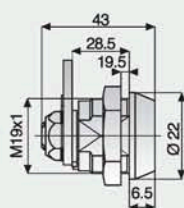
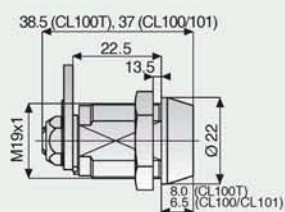
### MODEL

	CL100	CL101	CL103	CL106	CL104	CL105	CL107	CL108	CL109
CAM TURNS: KEY REMOVABLE									
90°/180° IN LOCKED POSITION ONLY	X		X		X	X		X	X
360° IN LOCKED AND UNLOCKED POSITION		X		X			X		
MATERIAL OF CYLINDER HOUSING	BRASS	BRASS	BRASS	BRASS	BRASS	STEEL	BRASS	BRASS	BRASS
LEFT HAND OPERATION POSSIBLE	X		X		X	X		X	X
NUMBER OF DISCS	11	11	11	11	9	9	9	7	7

### CYLINDER TYPE

ABLOY® CLASSIC	X	X	X	X	X	X	X		
ABLOY® SENTRY <u>PAT</u>	X	X	X	X	X	X	X		X
ABLOY® PROTEC <u>PAT</u>	X	X	X	X	X	X	X	X	
ABLOY® NOVEL <u>PAT</u>									
ABLOY® PROTEC <sup>2</sup> <u>PAT</u>	X	X	X	X					
ABLOY® PROTEC <sup>2</sup> CLIQ <u>PAT</u>			CLL130						

### DIMENSIONS

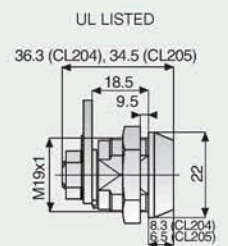
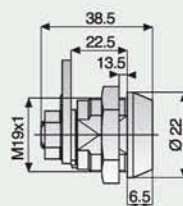
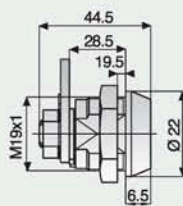
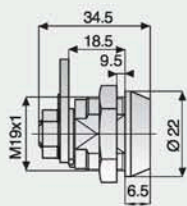
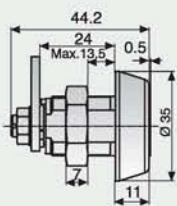


U.S. RANGE



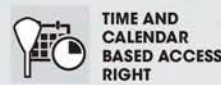
CL110	CL200	CL201	CL202	CL203	CL204	CL205
X	X	X	X	X	X	X
STEEL	BRASS	STEEL	BRASS	BRASS	STEEL	STEEL
X	X	X	X	X	X	X
9	9	9	11	11	9	9

	X	X	X	X		X
X	X	X	X	X	X	
X	X	X	X	X	X	
			X			



## Integration with electromechanical CLIQ technology.

ABLOY PROTEC<sup>2</sup> can be integrated with electronic CLIQ technology, which enables flexible and secure access management, including time functions. It lifts locking security to a whole new level.



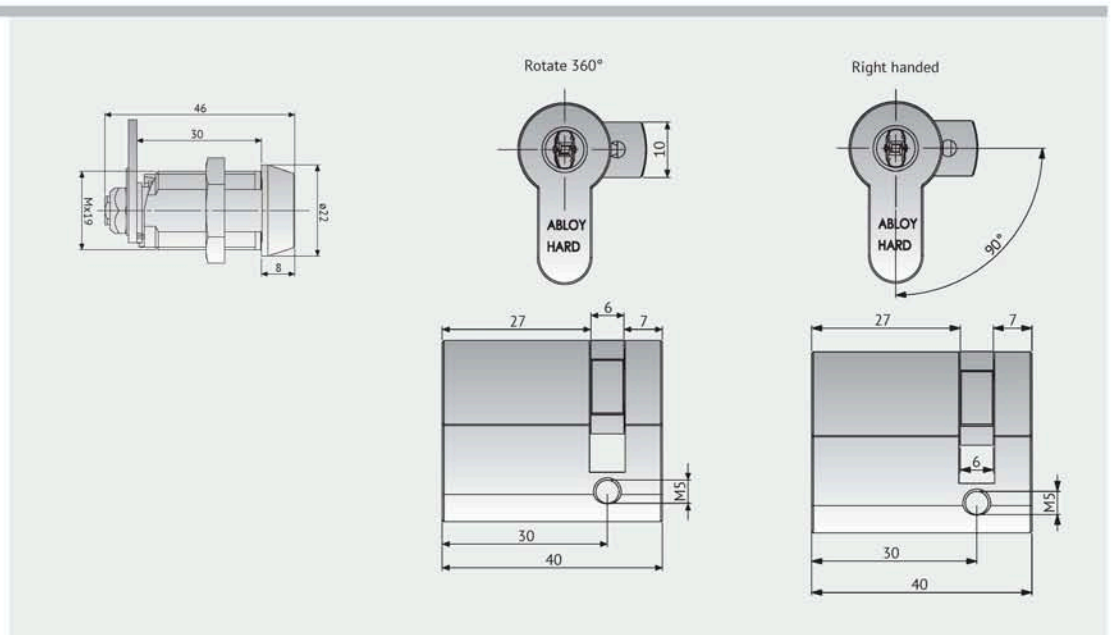
### MODEL

	CLL130	CLL715	CLL718
CAM TURNS: KEY REMOVABLE			
90°/180° IN LOCKED POSITION ONLY	X	X	X
360° IN LOCKED AND UNLOCKED POSITION			
MATERIAL OF CYLINDER HOUSING	STEEL	STEEL	STEEL
LEFT HAND OPERATION POSSIBLE	X	X	X
NUMBER OF DISCS	9	9	9

### CYLINDER TYPE

ABLOY® PROTEC2 CLIQ	<u>PAT</u>		
		X	X
		X	X
		X	X

### DIMENSIONS



ABLOY T-handle locks are ideal for vending machines and other locking handle applications.

Steel bolt provides maximum resistance against attack by pulling.



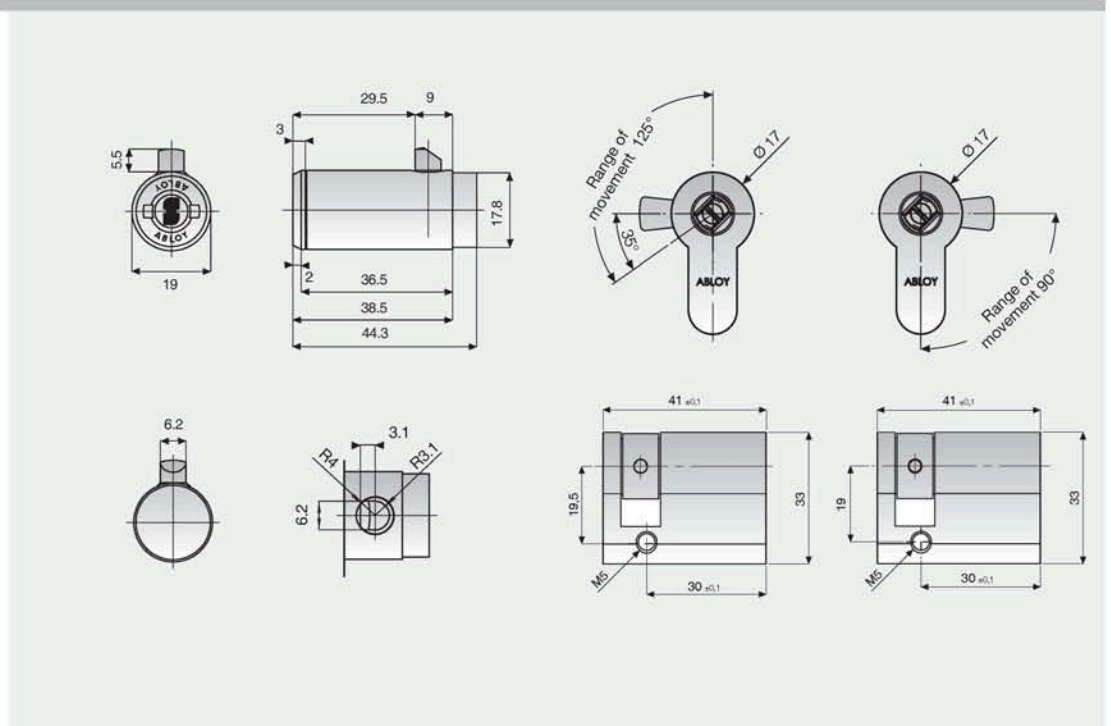
## MODEL

	CL290	CL291	CL687	CL619
MATERIAL OF CYLINDER HOUSING	CHROME PLATED STEEL	CHROME PLATED STEEL	CHROME PLATED STEEL	CHROME PLATED STEEL
CYLINDER FACE	CASE-HARDENED CHROME PLATED STEEL	CASE-HARDENED CHROME PLATED STEEL	CASE-HARDENED CHROME PLATED STEEL	CASE-HARDENED CHROME PLATED STEEL
LATCH	NICKEL PLATED STEEL	NICKEL PLATED STEEL	NICKEL PLATED STEEL	NICKEL PLATED STEEL
NUMBER OF DISCS	9	9	11	11

## CYLINDER TYPE

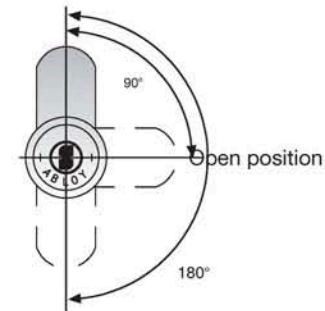
ABLOY® CLASSIC		X	X	X	X
ABLOY® SENTRY	<u>PAT</u>	X	X	X	X
ABLOY® PROTEC	<u>PAT</u>	X	X	X	X
ABLOY® NOVEL	<u>PAT</u>				
ABLOY® PROTEC <sup>2</sup>	<u>PAT</u>			X	X

## DIMENSIONS



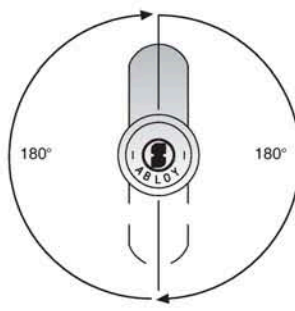
## CAM TURNS

Locked position



Open position

Locked position



Open position

### LOCK TYPES

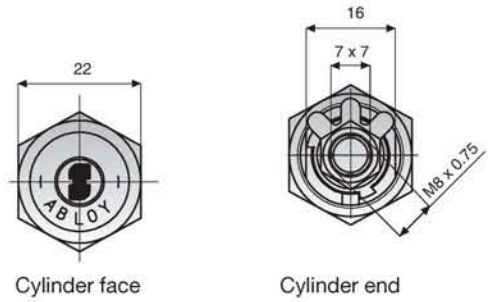
CL100    CL200  
 CL103    CL201  
 CL104    CL202  
 CL105    CL203  
 CL108    CL204  
 CL109    CL205  
 CL110

### LOCK TYPES

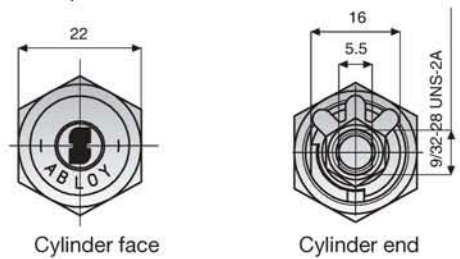
CL101  
 CL106  
 CL107

## UNIVERSAL AND U.S. SPECIFICATIONS

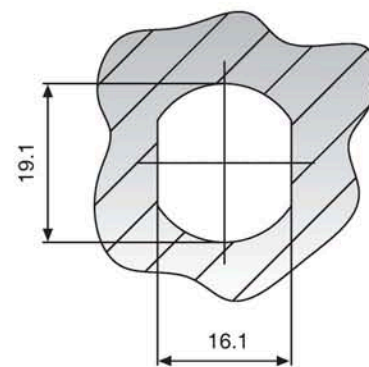
Universal specification



U.S. specification

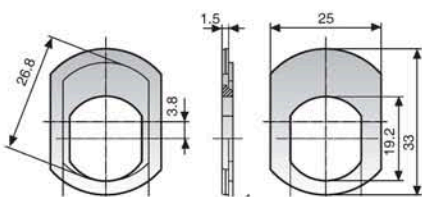


## DIMENSIONS OF FITTING HOLE

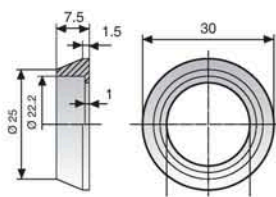


## SPECIAL ACCESSORIES

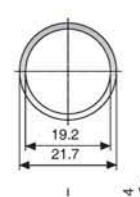
Special accessories are made of chrome plated steel.



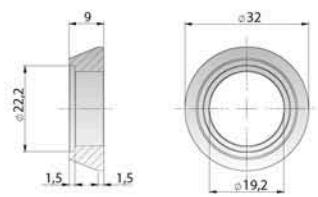
Fitting plate 441345



Protective collar 804757



Lifting sleeve 804252



Lifting sleeve 812760

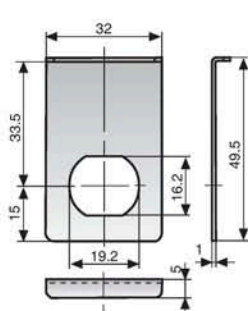


## CAMS

For cam locks in the universal range, three different cam models available: straight, hooked and offset. Cams are made of nickel plated steel. Cams for the U.S. range of cam locks are available in the U.S. sales office.

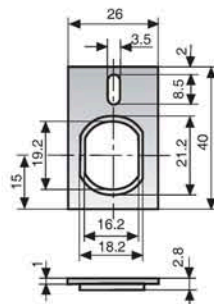
Straight cam	Part No.	A	B	Offset cam	Part. No.	A	B	C
	455608	26	18		455678	32	24	13.3
	434815	30.5	22.5		434959	33	25	26.5
	434869	33	25		455333	35	27	5
	455322	35	27		434928	35	27	6.5
	434609	38	30		455499	35	27	9.5
	434794	40	32		455525	35	27	10.5
	455556	45	37		434816	36	28	12
	455548	48	40		434799	36	28	22
	455494	53	45		455557	37	29	18.5
	455797	58	50		434766	38	30	15
	455606	68	60		434667	38	30	7
	455514	31	23	16.5	434702	40	32	19
	434605	32	24	17.5	434635	45	37	5
	455332	35	27	20.5	434700	45	37	8
	455492	42.5	34.5	28	434852	45	37	13.3
	434818	47.5	39.5	33	434757	48	40	19
	455780	58	50	43.5	434788	50	42	12.5
	455549	60.5	52.5	46	455461	61	53	18

## FITTING PLATES



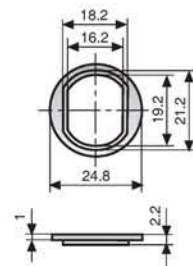
413807

- For use with plastic ring 4841003 in glass doors.
- Available also with brass finish, product number 413808
- Material: Chrome plated steel



455328

- Used inside of a wooden door to prevent the lock from rotating
- Fixed by screws through the upper holes of the plate
- Material: Zinc-plated steel



434613

- Used mostly as replacement for cam locks of universal specifications
- Normally used on both sides of the mounting hole
- Material: Zinc-plated steel

# ABLOY® CABINET LOCKS

*The comprehensive ABLOY cabinet lock product range with versatile adjusting options offers endless possibilities for secure, functional, aesthetic locking solution.*

Cabinet locks are used in variety of applications from high security indoor applications such as retail and museum fixtures to industrial enclosures in harsh outdoor weather conditions. ABLOY cabinet locks have a uniform, exquisite design which meet the quality and design requirements of our customers.



**ELECTRO-  
MECHANICAL  
PRODUCTS**



**FULL METAL  
HOUSING**



**BUMP PROOF  
AND VIRTUALLY  
PICK PROOF**



**ONE KEY  
FITS ALL**



Museum and retail



Offices



Healthcare

# ABLOY® CABINET LOCKS



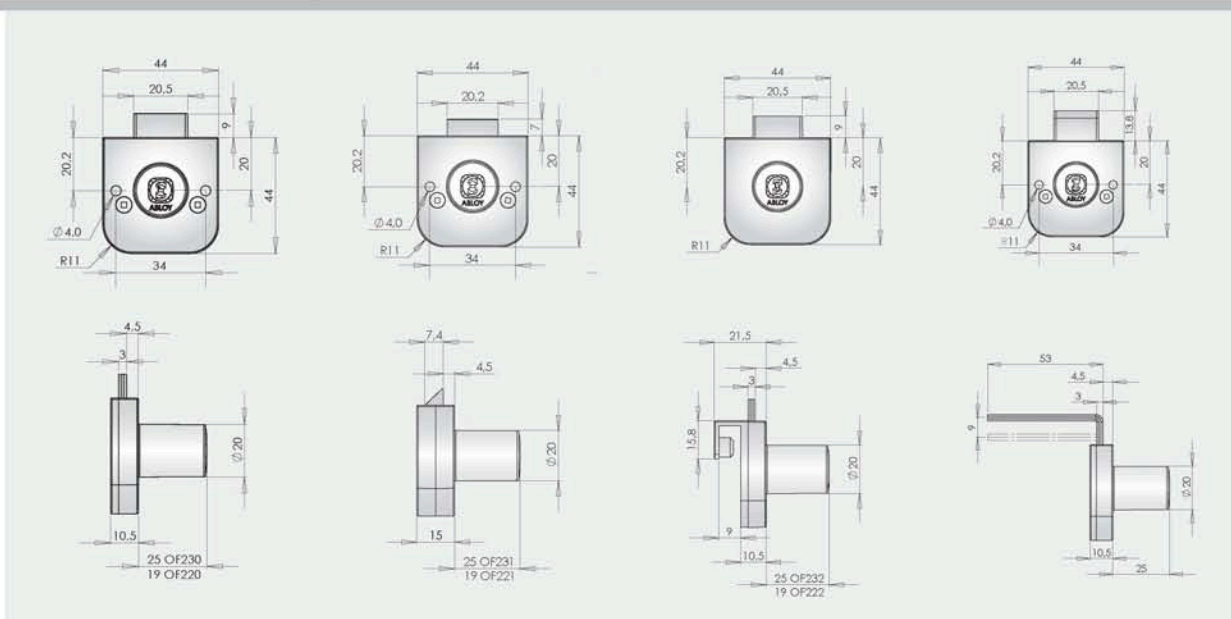
## MODEL

	OF230	OF220	OF231	OF221	OF232	OF222	OF234
NUMBER OF DISCS	11	7	11	7	11	7	11
BOLT MATERIAL	NICKEL PLATED STEEL		BRASS		NICKEL PLATED STEEL		NICKEL PLATED STEEL
TYPE OF BOLT	FLAT		SPRING LATCH		FLAT		FLAT
MAX. INST. THICKNESS	25 mm	19 mm	25 mm	19 mm	8 mm	8 mm	25 mm
FINISHING	CHROME PLATED ZINC		CHROME PLATED ZINC		CHROME PLATED ZINC		CHROME PLATED ZINC
TYPE OF THE DOOR	SWING DOOR, DRAWER		SWING DOOR, DRAWER		SWING DOOR		DRAWER

## CYLINDER

ABLOY® CLASSIC	X	X	X	X	X	X	X
ABLOY® SENTRY <u>PAT</u>	X	X	X	X	X	X	X
ABLOY® PROTEC <u>PAT</u>	X		X		X		X
ABLOY® NOVEL <u>PAT</u>	X						
ABLOY® PROTEC <sup>2</sup> <u>PAT</u>	X		X				
ABLOY® PROTEC <sup>2</sup> CLIQ <u>PAT</u>	OFL240		OFL241				OFL244

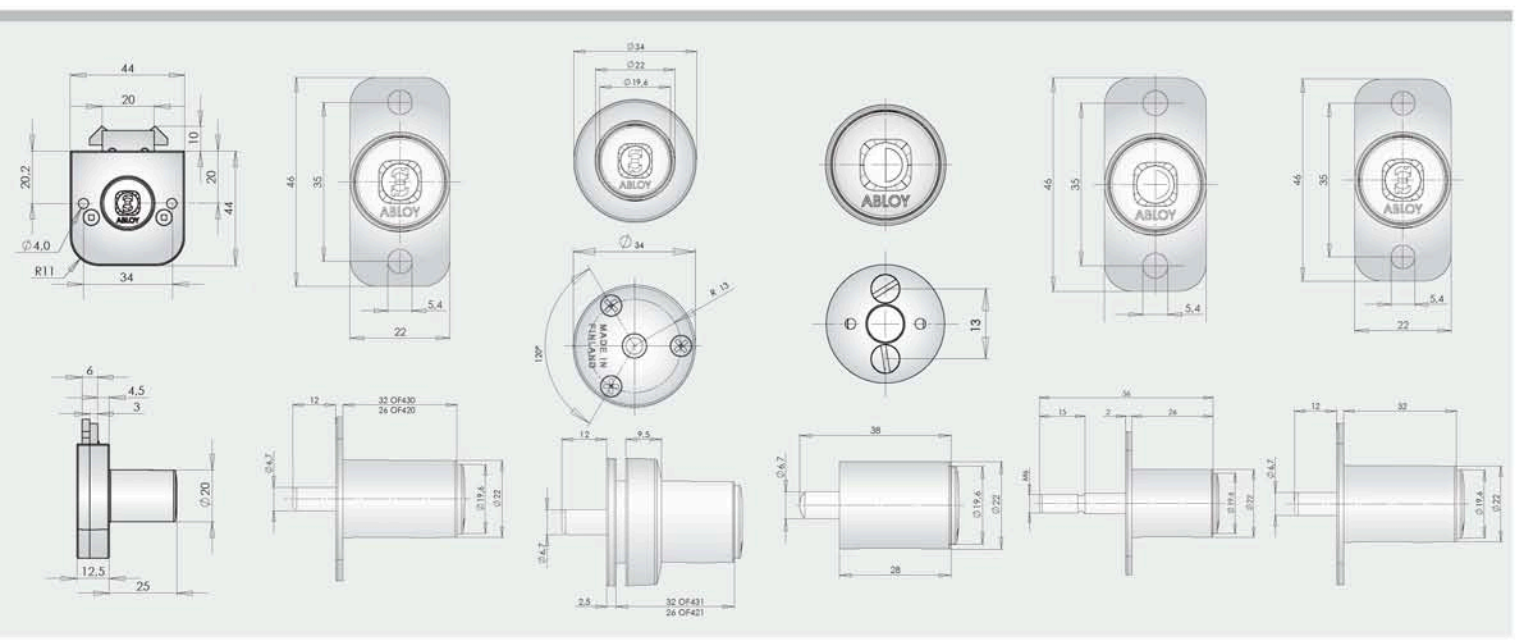
## DIMENSIONS





OF235	OF430	OF420	OF431	OF421	OF423	OF424	OF433
11	11	7	11	7	11	7	11
NICKEL PLATED STEEL	STAINLESS STEEL		STAINLESS STEEL		STAINLESS STEEL	STAINLESS STEEL	STAINLESS STEEL
DOUBLE HOOK							
25 mm	32 mm	26 mm	2-9 mm	2-9 mm	28 mm	25 mm	32 mm
CHROME PLATED ZINC	CHROME PLATED ZINC		CHROME PLATED ZINC		SATIN CHROME PLATED ZINC/ SATIN CHROME PLATED BRASS	CHROME PLATED ZINC	CHROME PLATED ZINC
SLIDING DOOR, SWING DOOR	SLIDING DOOR		SLIDING DOOR		SLIDING DOOR	SLIDING DOOR	SLIDING DOOR

X	X	X	X	X	X	X	
X	X	X	X	X	X	X	
X	X	X	X	X			X
	X		X				X
OFL245	OFL430						



## Integration with electromechanical CLIQ technology.

ABLOY PROTEC<sup>2</sup> can be integrated with electronic CLIQ technology, which enables flexible and secure access management, including time functions. It lifts locking security to a whole new level.



**ELECTRO-MECHANICAL PRODUCTS**



**DOUBLE SECURED ACCESS CONTROL**



**TIME AND CALENDAR BASED ACCESS RIGHT**



**AUDIT TRAIL**



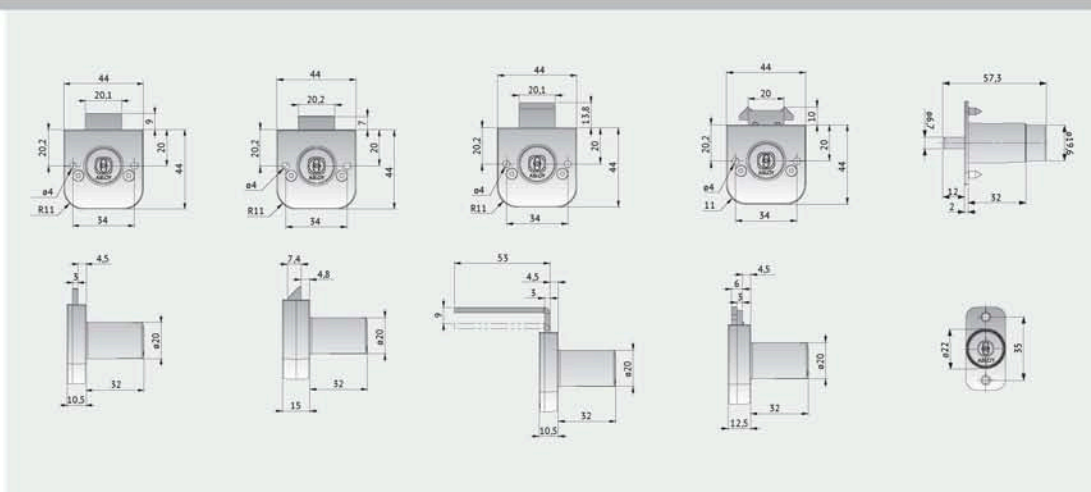
### MODEL

	OFL240	OFL241	OFL244	OFL245	OFL430
NUMBER OF DISC	11	11	11	11	11
BOLT MATERIAL	NICKEL PLATED STEEL	BRASS	NICKEL PLATED STEEL	NICKEL PLATED STEEL	STAINLESS STEEL
TYPE OF BOLT	FLAT	SPRING LATCH	FLAT	DOUBLE HOOK	
MAX. INST. THICKNESS	25 mm	25 mm	25 mm	25 mm	32 mm
FINISHING	CHROME PLATED ZINC	CHROME PLATED ZINC	CHROME PLATED ZINC	CHROME PLATED ZINC	CHROME PLATED ZINC
TYPE OF THE DOOR	SWING DOOR, DRAWER	SWING DOOR, DRAWER	DRAWER	SWING DOOR	SWING DOOR

### CYLINDER

ABLOY® PROTEC <sup>2</sup> CLIQ	<b>PAT</b>				
		X	X	X	X

### DIMENSIONS

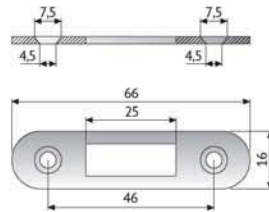


## STRIKER PLATES

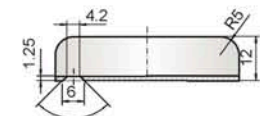
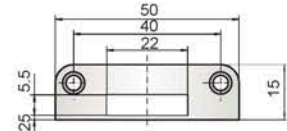
802330



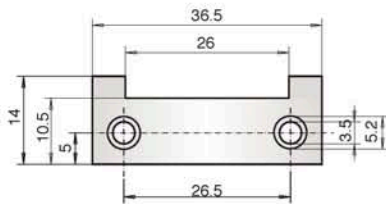
Material: Nickel plated steel



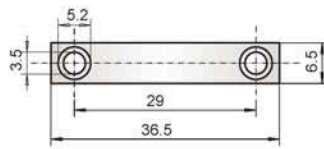
802330



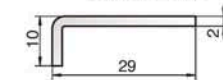
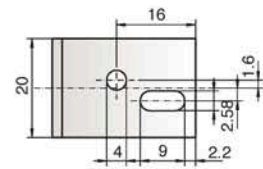
434987



434981

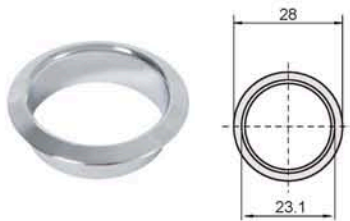


434980

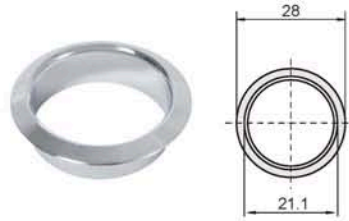


455365

## ESCUTCHEON RING



401746 Chrome plated brass  
Used with 22 mm diameter  
products, length 8 mm

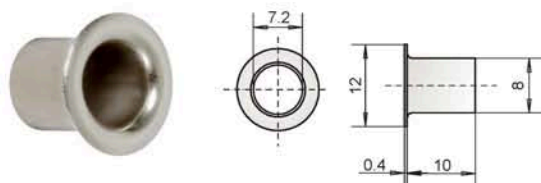


413529 Chrome plated brass  
Used with 20 mm diameter  
products, length 8 mm



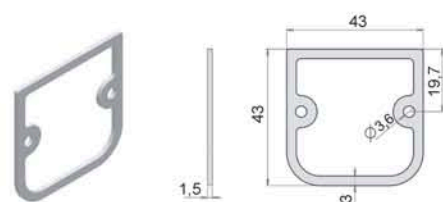
413571 Chrome plated brass  
Used with 20 mm diameter  
products, length 18 mm

## KEEP 401930



Material: Nickel plated brass

## LIFTING PLATE 814639



Plastic, 10 pcs./packing



*Industrial and commercial applications*

# ABLOY® KEY-OPERATED SWITCH LOCKS

*ABLOY key-operated switch locks offer a solid locking solution for burglar alarms, control boxes and other high security applications.*

Switch locks are used in variety of applications where on-off switch function is required. They have same uniform design, are available with CLASSIC, SENTRY and PROTEC key systems and can be keyed with other ABLOY cam and cabinet locks.



ELECTRO-  
MECHANICAL  
PRODUCTS



FULL METAL  
HOUSING



BUMP PROOF  
AND VIRTUALLY  
PICK PROOF





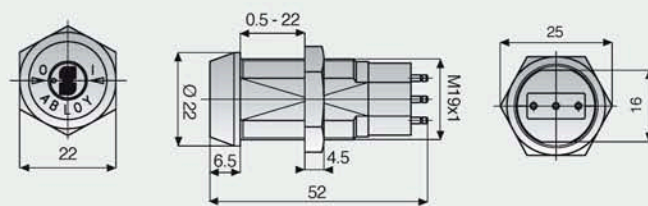
## MODEL

	EP400	EP401	EP402
MATERIAL OF CYLINDER HOUSING	CHROME PLATED STEEL	CHROME PLATED STEEL	CHROME PLATED STEEL
CYLINDER FACE	CASE-HARDENED CHROME PLATED STEEL	CASE-HARDENED CHROME PLATED STEEL	CASE-HARDENED CHROME PLATED STEEL
LATCH	NICKEL PLATED STEEL	NICKEL PLATED STEEL	NICKEL PLATED STEEL
NUMBER OF DISCS	11	11	11

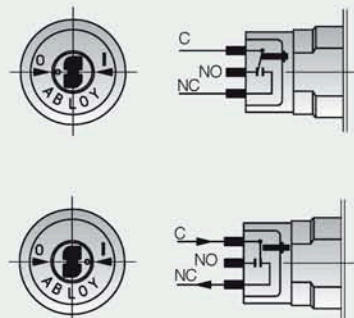
## CYLINDER TYPE

ABLOY® CLASSIC	X	X	X
ABLOY® SENTRY <u>PAT</u>	X	X	X
ABLOY® PROTEC <u>PAT</u>	X	X	X
ABLOY® PROTEC <sup>2</sup> <u>PAT</u>	X	X	X

## DIMENSIONS



### Circuit diagram



C = common  
 NO = normally open  
 NC = normally closed

Retail and banking

# ABLOY® TIME DELAY LOCKS

*ABLOY time delay locks offer time protection in businesses that deal with money and valuables.*

Time delay locks are used in variety of applications such as cash boxes, safes, connection boxes and gaming machines. EP310 is designed for applications that requires high security locking with time protection. EP312 offers mechanical key security combined with electrical control to prevent unauthorised use of the key. Locks are available with CLASSIC and SENTRY key systems and can be keyed with other ABLOY cam and cabinet locks.



ELECTRO-  
MECHANICAL  
PRODUCTS



FULL METAL  
HOUSING



BUMP PROOF  
AND VIRTUALLY  
PICK PROOF



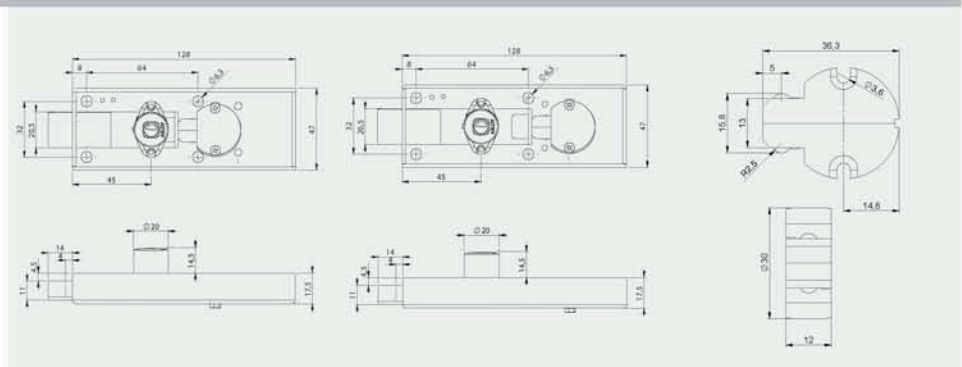
## MODEL

	EP310	EP312	EP303
CURRENT CONSUMPTION	-	240 mA	240 mA
MIN. PULSE DURATION	-	0,4 s	0,4 s
OPER.VOLTAGE	9 V	6-12 V	-
NUMBER OF DISCS	9	9	-
CABEL LENGHT	19 cm	100 cm	-

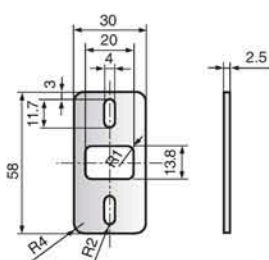
## CYLINDER TYPE

ABLOY® CLASSIC		X	X
ABLOY® SENTRY	<u>PAT</u>	X	X
ABLOY® PROTEC	<u>PAT</u>		
ABLOY® NOVEL	<u>PAT</u>		
ABLOY® PROTEC <sup>2</sup>	<u>PAT</u>		

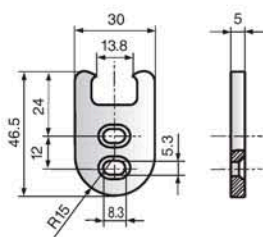
## DIMENSIONS



## STRIKER PLATES FOR EP303

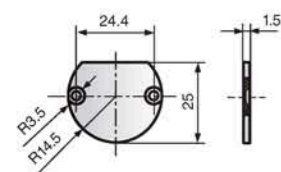


800039



800062

## FITTING PLATE FOR EP303



800522

● 2766

● 2767

*Safe deposits, high security applications*

# ABLOY® SAFE DEPOSIT LOCKS

*ABLOY safe deposit locks offer a solid locking solution for banks and other operators that require highest levels of security and functionality.*

ABLOY safe deposit locks are equipped with deadbolt latches and ABLOY patented rotating disc technology cylinders. Virtually pick proof, these locks set the industry standard for securing you and your customers' most valuable content and assets. Available with single cylinder or two mechanically operated cylinders.



FULL METAL  
HOUSING



BUMP PROOF  
AND VIRTUALLY  
PICK PROOF



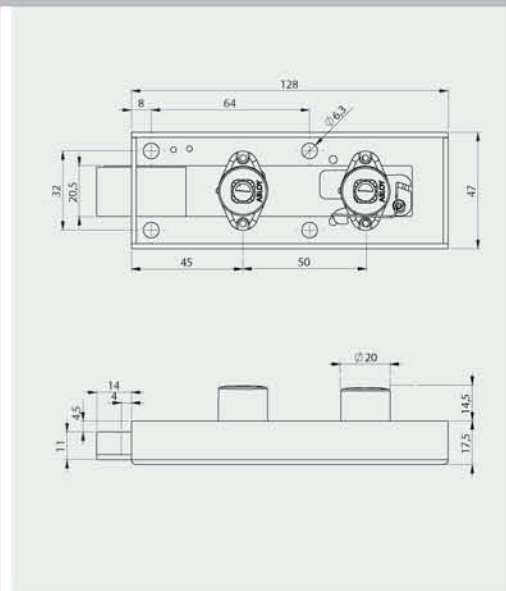
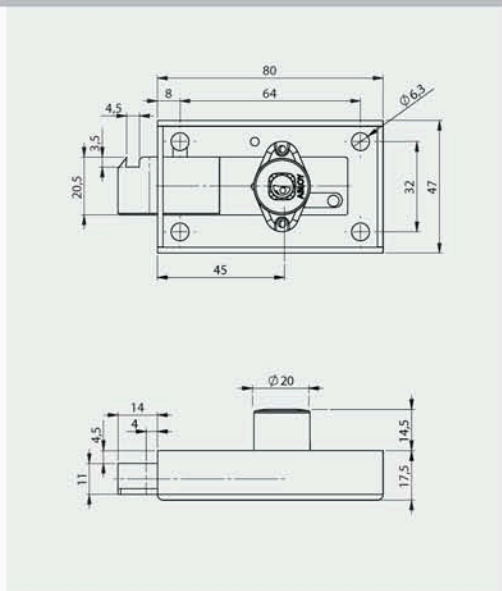
## MODEL

	SC210	SC211
NUMBER OF DISCS	9	9

## CYLINDER TYPE

ABLOY® CLASSIC	X	X
ABLOY® SENTRY <u>PAT</u>	X	X
ABLOY® PROTEC <u>PAT</u>	X	X
ABLOY® NOVEL <u>PAT</u>		
ABLOY® PROTEC <sup>2</sup> <u>PAT</u>		

## DIMENSIONS



Lockers

# ABLOY® COIN OPERATED LOCKS

*ABLOY coin operated locks offer a secure, functional and durable locking solution for safekeeping.*

Coin operated locks are used in variety of applications such as lockers, storage boxes and cabinets. Locks have several different coin identifiers and are available with coin trays and coin boxes. Equipped with deadbolt latches and reliable ABLOY patented rotating disc technology cylinders, they meet the industry standards for securing valuables.



FULL METAL HOUSING



BUMP PROOF AND VIRTUALLY PICK PROOF



## MODEL

	SC410 (800595)	SC411 (800595)	SC412 (800595)	SC413 (800595)	SC410 (SC414)	SC411 (SC414)	SC412 (SC414)	SC413 (SC414)
MAX. DOOR THICKNESS (A)	14,5 mm	18 mm	14,5 mm	18 mm	14,5 mm	18 mm	14,5 mm	18 mm
HANDING	RIGHT	RIGHT	LEFT	LEFT	RIGHT	RIGHT	LEFT	LEFT
NUMBER OF DISCS	9	11	9	11	9/7	11/7	9/7	11/7

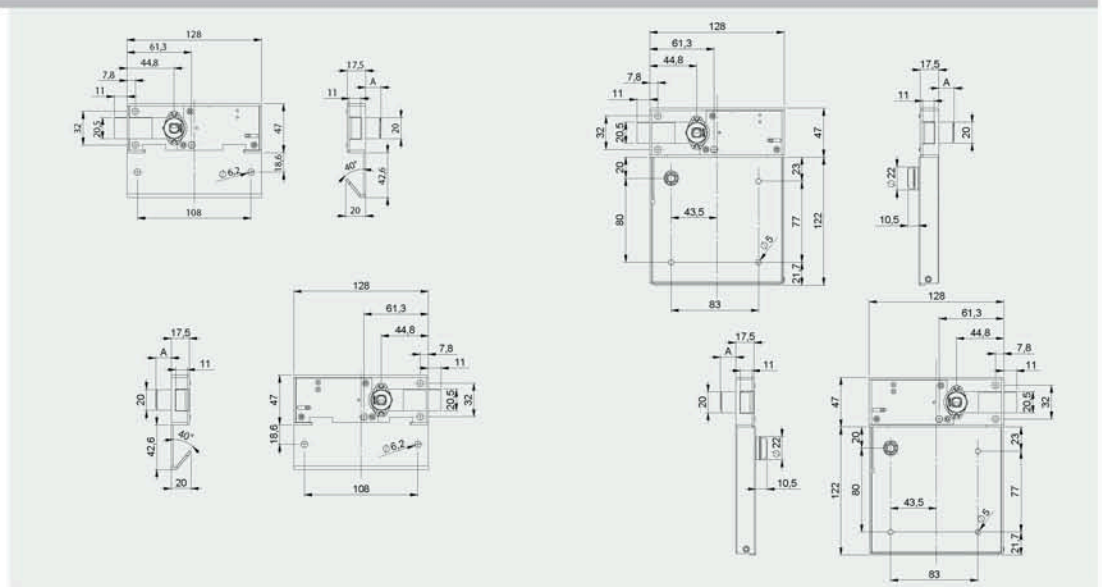
## COIN RETURN

RETURNED	X	X	X	X				
RETAINED					X	X	X	X

## CYLINDER TYPE

ABLOY® CLASSIC	X	X	X	X	X (X)	X (X)	X (X)	X (X)
ABLOY® SENTRY	<u>PAT</u>	X	X	X	X (-)	X (-)	X (-)	X (-)
ABLOY® PROTEC	<u>PAT</u>	X	X	X	X (-)	X (-)	X (-)	X (-)
ABLOY® NOVEL	<u>PAT</u>							
ABLOY® PROTEC <sup>2</sup>	<u>PAT</u>							

## DIMENSIONS



# ABLOY HAS A KEY ROLE IN WORLDWIDE SECURITY

*ABLOY products are result of continuous R & D, testing and our ability to understand and solve customers' security related challenges. Our continuing mission is to help people feel safer and more secure, without compromising the freedom in their lives.*

The world-wide network of Abloy Oy's sales units and distributors provide the best local service and expertise. Our distributors are trained to help you design secure master key systems and key control solutions, assisting you select the right products for your application and help you understand the latest trends and needs in physical security.

All ABLOY cylinder products are designed and manufactured in Finland.



ABLOY secures people, property and business operations on land, at sea, and in the air – in all circumstances.

ASSA ABLOY is the global leader in door opening solutions, dedicated to satisfying end-user needs for security, safety and convenience.

**MANUFACTURER:**

**Abloy Oy**  
Wahlforssinkatu 20  
P.O. Box 108  
FI-80101 Joensuu | Finland  
Tel. +358 20 599 2501  
WWW.ABLOY.COM

